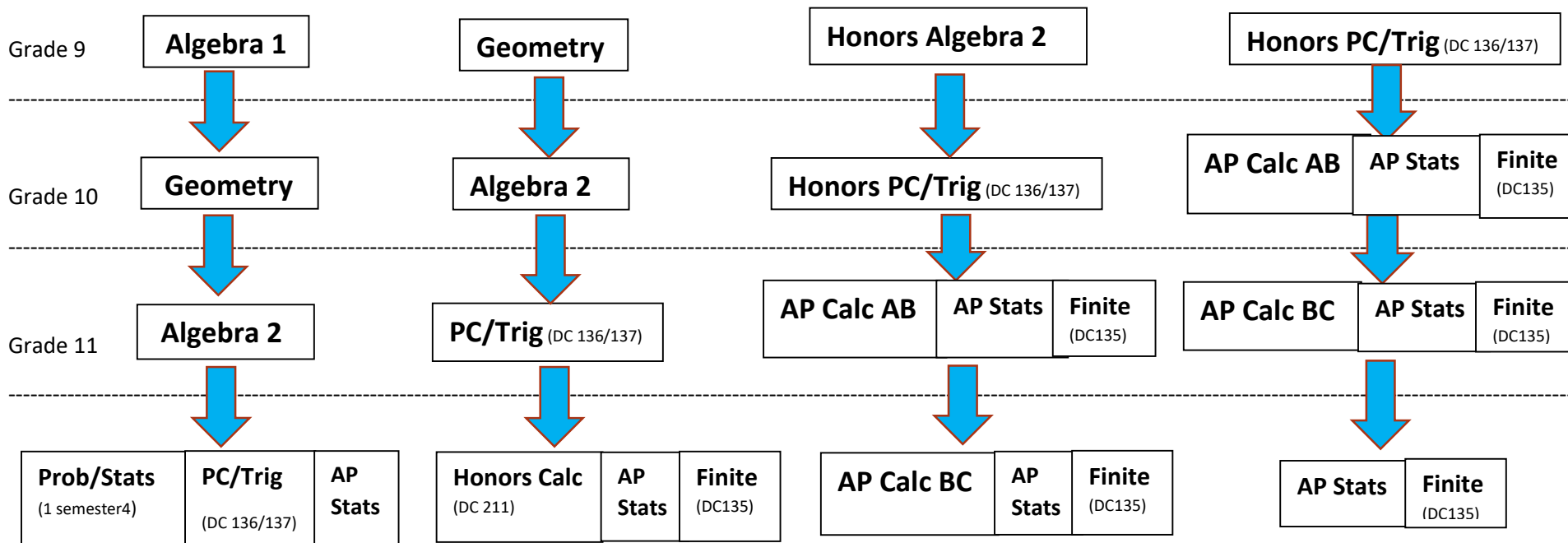




# Homestead Mathematics Department Flow Chart



Expected flow of courses for incoming Ninth Grade students follow the **BLUE ARROWS** down.  
Optional math courses are listed to the right.



Grade 12

**Incoming Juniors** are expected to move into Algebra 2. However, with a teacher recommendation, they can move into Honors Algebra 2.

**Incoming Seniors** are expected to take Pre-Calc/Trig. However, struggling students (C to D range) should be encouraged to take Probability/Statistics and still get a core 40 diploma. AP Stats is also an option for these seniors.

**Incoming Sophomores** are expected to move into Algebra 2. However, with a teacher recommendation, they can move into Honors Algebra 2.

**Incoming Juniors** are expected to follow their current path into regular Pre-Calc/Trig. However, movement into honors Pre-Calc/Trig is possible with a teacher recommendation.

**Incoming Seniors** from regular PC/Trig are expected to move into Honors Calculus (Not AP Calc). However, if they are not ready for or do not wish to take Calculus (C to D range) they should be encouraged to take AP Stats or Finite.

**Incoming Sophomores** are expected to move into Honors Pre-Calc/Trig. However, they should be encouraged take regular PC/Trig or retake Honors Algebra 2 if they struggled in honors (C to D range).

**Incoming Juniors** are expected to move into AP Calc AB. Students also have the option to take Honors Calc as well as AP Stats or Finite.

**Incoming Seniors** coming out of AP Calc AB are expected to take either AP Calc BC, AP Stats or Finite.

**Incoming Sophomores** are expected to move into AP Calc AB. They may also take AP Stats or Finite and put off taking Calculus until they are a junior.

**Incoming Juniors** are expected to move into AP Calc BC. Students also have the option to take AP Stats or Finite and put off taking AP Calc BC until they are a senior

**Incoming Seniors** are expected to take AP Stats or Finite